

KPVK series



Features

- Easy pipe connection
- Suitable to various working environment such as hopper or silo, and parts for welding is supplied

How to Order

KPVK - 16
① ②

① Series

KPVK	Air piston vibrator knocker
------	-----------------------------

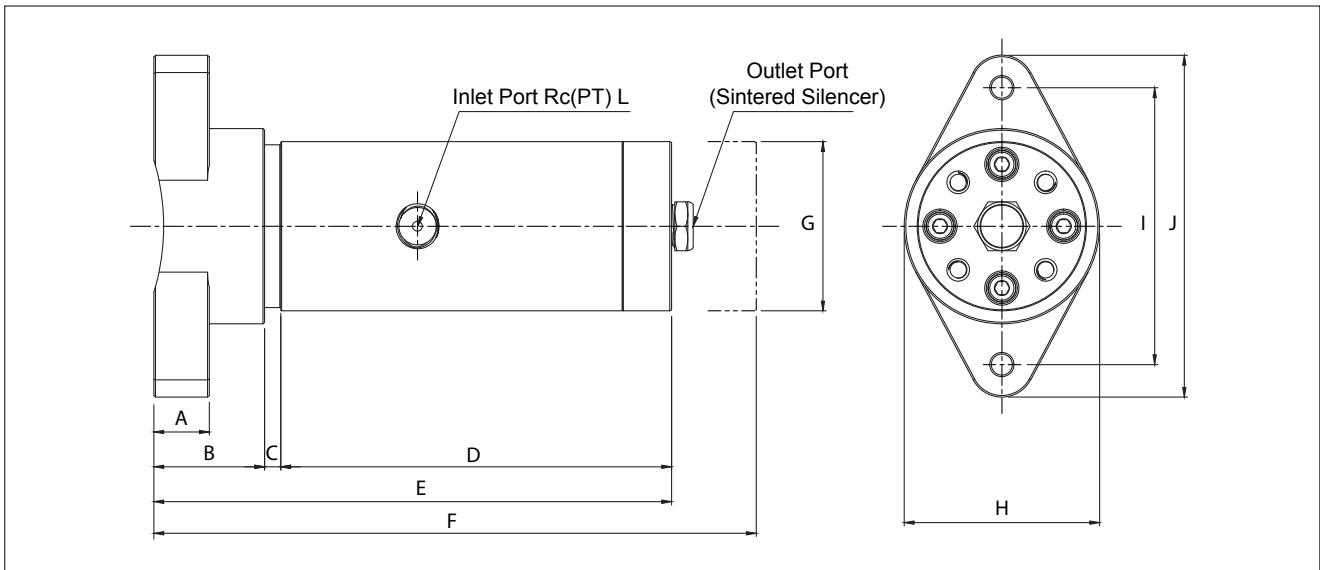
② Tube Bore size

16	Ø16
22	Ø22
30	Ø30
40	Ø40
50	Ø50

Specifications

Model		KPVK-16	KPVK-22	KPVK-30	KPVK-40	KPVK-50
Vibration force (N)	4kg/cm ²	81	153	280	511	801
	7kg/cm ²	140	265	493	861	1377
Frequency (reciprocations / minute)	4kg/cm ²	3700	3100	2300	1500	1300
	7kg/cm ²	4500	3900	3100	2100	1700
Air consumption (Liters/minute)	4kg/cm ²	19	37	67	100	163
	7kg/cm ²	40	75	138	207	330
Weight (kg)		0.4	0.6	1.0	3.6	4.4

Dimensions



Unit:mm

Model	A	B	C	D	E	F	G	H	I	J	K	L
KPVK-16	16	26	5	82	113	123	ø30	40	62	85	10	1/8
KPVK-22	18	30	8	94	132	146	ø41	50	74	94	10	1/8
KPVK-30	20	40	5	120	165	185	ø52	60	102	122	10	1/4
KPVK-40	24	50	5	144	199	230	ø69	75	102	127	10	1/4
KPVK-50	26	56	5	174	235	235	ø90	90	124	149	10	1/4

Dimensions- Plate for Welding

