

KCSC series



Features

- KCC has 3 kinds of KCSC models which control the speed of both, light and heavy loads with smooth and consistent capacities. They are available in stroke lengths of 15mm, 30mm and 50mm with capacities from 2.5Kg to 255Kg force. KCC KCSC models are hermetically sealed and can be operated in any position for a long time operation without any leakage and can control the moving devices with easy and diverse by using adjustable dial.

How to Order

KCSC 15

① ②

① Series

KCSC	Constant speed controller
------	---------------------------

② Stroke

15	15mm
30	30mm
50	50mm

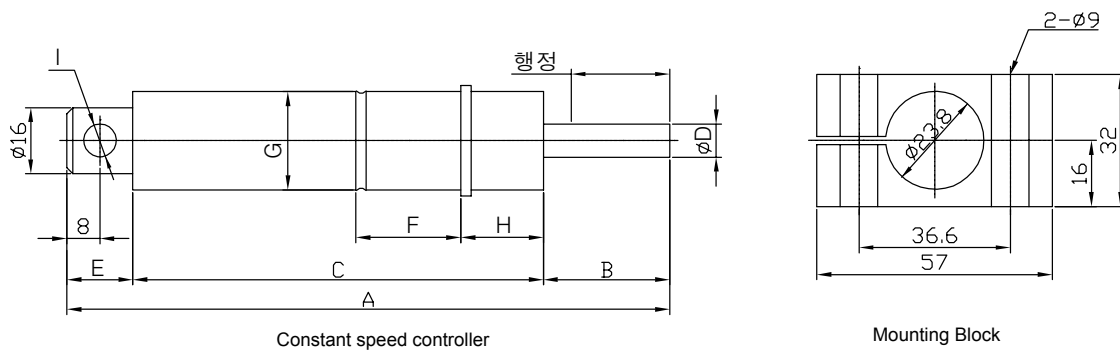
Specifications

Model	KCSC15	KCSC30	KCSC50
Stroke	15	30	50
Propelling force (N)	Min.	30	30
	Max.	3,500	3,500
Return force (N)	Min.	20	20
	Max.	30	30
Return force (Sec)	0.8	1.2	1.8
Max. acceptance angle (°)	1.5	1.5	1.0
Material	Body	Steel(Nickel plating)	
	Piston rod	Special steel(Chromium plating)	
Range of Impact Velocity	0.01m/s~0.65m/s		
Ambient Temperature	-10~60℃		
Adjustment	Adjustment knob located at rear."0" is soft and "30" is hard.		

⚠ Precautions

1. Don't turn piston rod. The seal will be damaged if turned.
2. Piston rod and colliding object must be perpendicular

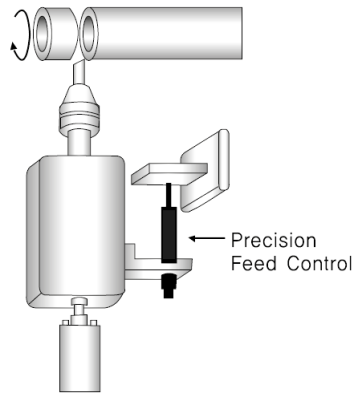
Dimensions



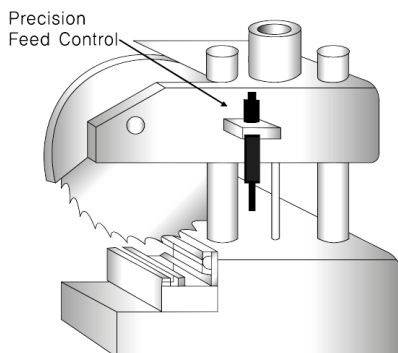
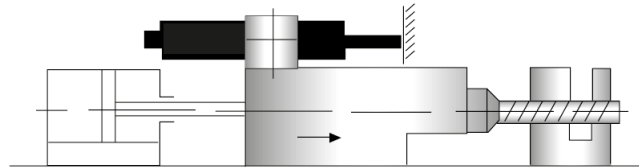
Unit:mm

Model	Stroke	A	B	C	øD	E	F	øG	H	øI	øJ	Weight
KCSC15	15	166.5	20	130.5	8	16	25.4	23.8	20	8	16	340
KCSC30	30	209	35	158								350
KCSC50	50	276	55	205								460

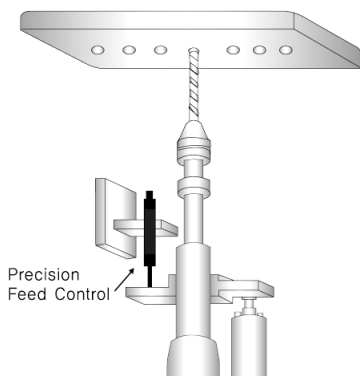
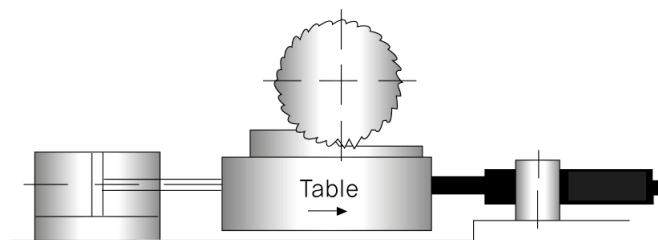
Applications



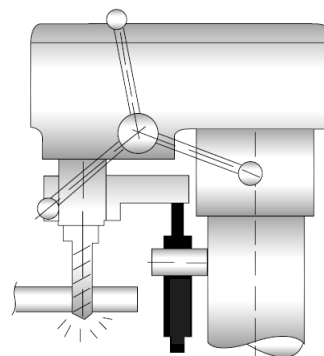
KCSC as drilling and cutting fixture
Prevent damage when the drill pierce with exact adjustment of feed rate of drilling machine.



KCSC as sawing and milling fixture
Adjust feed rate of milling machine exactly when doing milling, honing and polishing work with fixture



KCSC as drilling press and lathe work
Adjust feed rate exactly while doing drilling, pressing and piercing work.



- Shock Absorber & Gas Spring
- Shock Absorber Reference data
- KPA KUPA
- KSCA
- KCSC**
- Gas Spring Reference data
- KBG-W
- KBG-B