



1. Maximum operating pressure: 1 MPa
2. Impulse test: 1 MPa x 10⁵ times
3. Applicable fluid: Mineral oil as standard
4. Cartridge type for easy replacement.
5. Water-absorbing cartridge (P/N: W-1321, Max. flow rate: 20 l/min) is available in additional option.

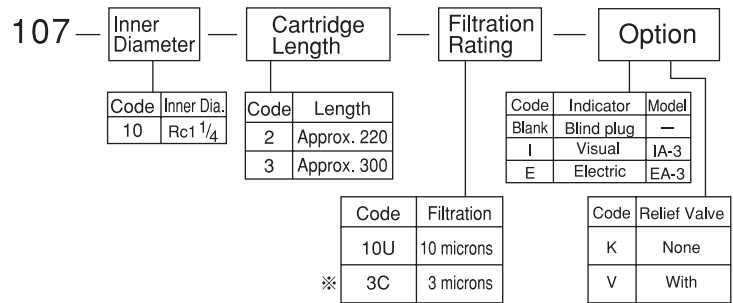
■ Part List

7	O-ring	NBR	1	JISB 2401.1A P-14
6	O-ring	NBR	1	JISB 2401.1B P-18
5	Indicator		1	Option
4	Relief valve		1	Option
3	Packing	NBR	1	
2	Cartridge		1	
1	Body	ADC12	1	
Part No.	Part Name	Material	Qty	Remarks

Weight: 107-10-22.4kg

107-10-32.7kg

► Model Code



Coding Example

107-10-2-3C-IV

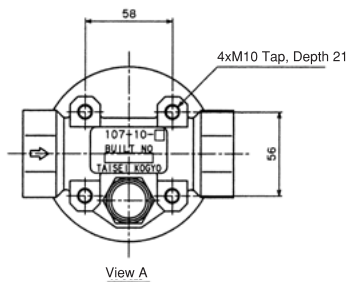
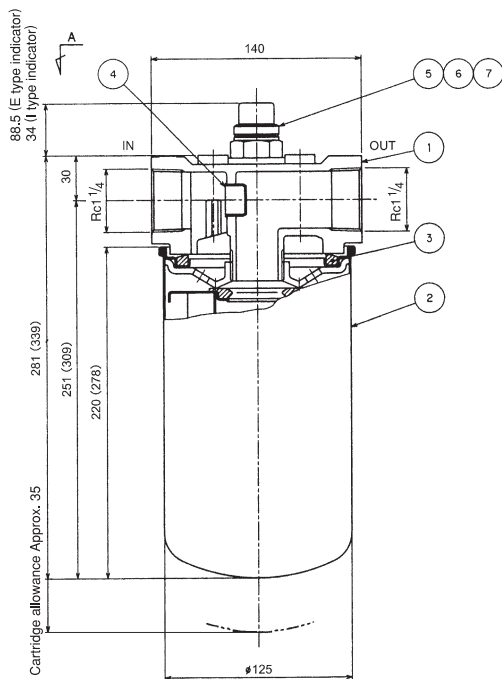
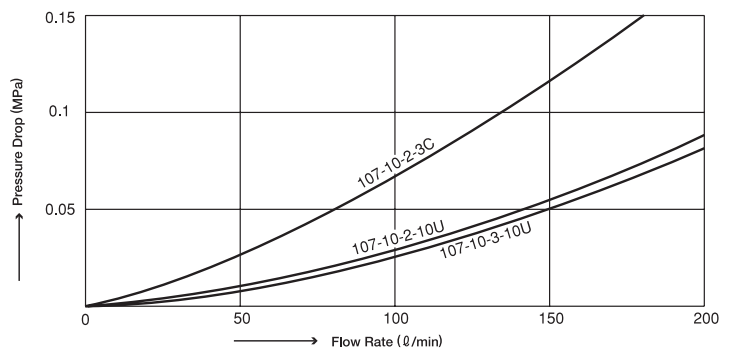
※ 3C : β₃ ≥ 200
Note: "3C" limited to cartridge length "2".

► Spare Cartridge

107-10	Filtration rating	10Microns	3Microns	Water absorbing cartridge W-1321
	Cartridge length			
	2	J-1321-10	J-1321-03	
	3	J-1330-10		

► Flow Rate Chart

- ISO VG32 ● Viscosity: 32 cSt (40°C)



Dimensions in () are for cartridge length "3".
Dimensions of water absorbing cartridge and of cartridge length "2" are the same.