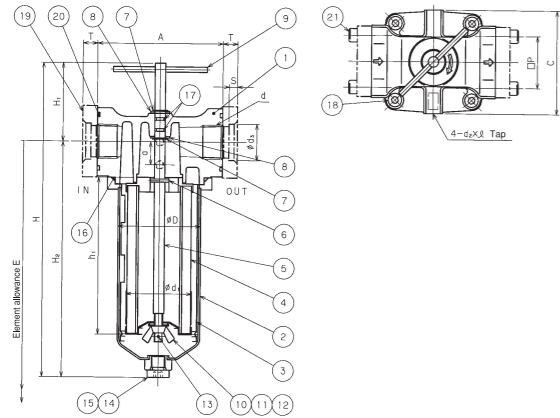
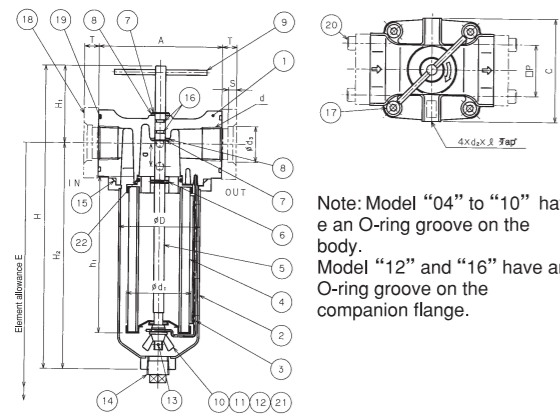




[Model AK]



[Model CFK]



Note: Model "04" to "10" have an O-ring groove on the body. Model "12" and "16" have an O-ring groove on the companion flange.

- Maximum operating pressure: 1 MPa
- Element can be cleaned with scraper by rotating a handle.  
Model AK: Notch wire element  
Model CFK: Wedge wire element
- Thread type connection is provided as standard. Companion flange for flange connection is available in additional option.
- Please contact us for use of fluid other than mineral oil on packing, O-rings and other parts.

### O-ring and Packing (Model AK)

Part No.	12	15	16	17	20
Model	12	15	16	17	20
AK-04	t2Xφ14/φ6.5	Seal washer	G-60		
AK-06					
AK-08		P-11	G-85	P-7	G-50
AK-10	t2Xφ17/φ8.5				
AK-12		P-14	G-105		G-70
AK-16					

### O-ring and X-ring (Model CFK)

Part No.	12	15	16	19	22
Model	12	15	16	19	22
CFK-04	t2Xφ14/φ6.5	G-60			X-121
CFK-06					
CFK-08		G-85	P-7	G-50	X-128
CFK-10	t2Xφ17/φ8.5				
CFK-12		G-105		G-70	X-140
CFK-16					

### Part List

Part No.	Part Name	Material	Qty	Remarks
CFK 22	X-ring	NBR	1	
CFK 21	Bushing	SS400	1	
AK 21	Cap bolt	SCM	8	Option JISB 2401. 1A
AK 20	O-ring	NBR	2	
AK 19	Companion flange	SS400	2	
AK 18	Cap bolt	SCM435	4	
AK 17	O-ring	NBR	2	JISB 2401. 1A
AK 16	O-ring	NBR	1	JISB 2401. 1A
AK 15	O-ring (Seal washer)	NBR	1	JISB 2401. 1A (AK-04,06)
AK 14	Drain plug	SCM435	1	AK-04, 06: SS400
AK 13	Snap pin	SWRH	1	
AK 12	Packing	NBR	1	
AK 11	Special washer	SECC	1	
AK 10	Wing nut	SS	1	
AK 9	Handle	SK	1	
AK 8	Washer	SS	2	
AK 7	Stop ring	SK	2	
AK 6	Spring pin	SK	1	
AK 5	Center rod	SGD	1	
AK 4	Element	SUS A6063	1	
AK 3	Scraper	SK	1	Model CFK: C5210P-H
AK 2	Lower cover	SPCE SS400	1	AK-04, 06: ADC12
AK 1	Body	ADC12	1	AK-12, 16: AC2B

### Companion Flange Dimensions

Symbol	Companion Flange (Option)					Mass kg
	d <sub>s</sub>	S	T	P	20	
Model					21	
AK-04.06	Companion flange is not attached					
AK-08	34.5	8	12	50	G-50	M8×30
AK-10	43.2		14			
AK-12	49.1	10	18	64	G-70	M10×40
AK-16	61.1					

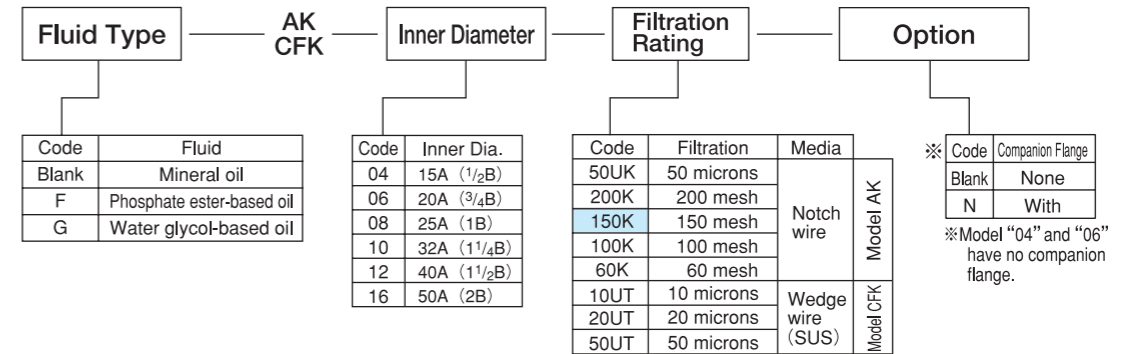
### Dimensions and Standard Flow Rates

★ Upper: Model AK, lower: Model CFK

Symbol	Model	d	H	H <sub>1</sub>	H <sub>2</sub>	A	C	D	a	Tap d <sub>2</sub> × Q	Element Allowance E	Element		Mass (kg)	Standard Flow Rate (ℓ/min)
												h <sub>1</sub>	d <sub>1</sub>		
AK-04	CFK-04	Rc1/2	202	56	146	84	72	59			235	90	44	0.8	20 40
AK-06	CFK-06	Rc3/4	194		138						240	92.5			38 45
AK-08	CFK-08	Rc1	300	75	225	120	102	79	22	M8×15	384	150	64	2.0	65 150
AK-10	CFK-10	Rc1 1/4	293.5		218.5							152			130 160
AK-12	CFK-12	Rc1 1/2	341	85	256	160	140	110	25	M10×20	427	166	84	4.7	200 200
AK-16	CFK-16	Rc2	333.5		248.5						420	168			300 210

## Model Code

Quick delivery of filters in      with mineral oil use.



**Coding Example**  
F-AK-08-150K-N

## Spares

### Element



Coding example : P-G-CFK-08-10UT

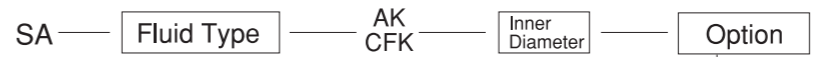
### Sealing parts set

● For element replacement (Part No. with ⊙ in "O-ring and packing/X-ring" .)



Coding example : SP-F-AK-08

● For overhaul



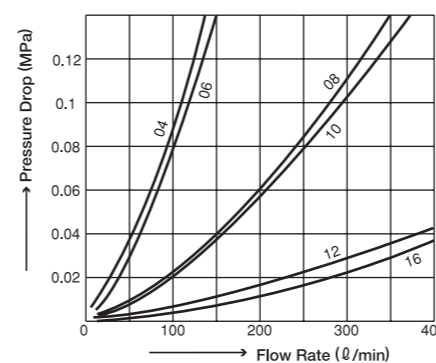
Coding example : SA-F-AK-08-N

Code	Companion Flange
Blank	None
N	With

## Flow Rate Chart

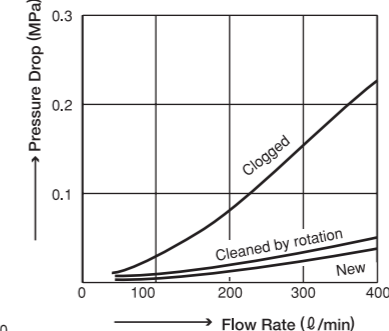
### AK-04 to16

Filtration rating 150 mesh (150K)  
ISO VG32, Viscosity: 32 cSt (40°C)



### AK-16

Filtration rating 150 mesh (150K)  
ISO VG32, Viscosity: 32 cSt (40°C)



### CFK-04 to16

Filtration rating 10 microns (10UT)  
ISO VG32, Viscosity: 32 cSt (40°C)

