



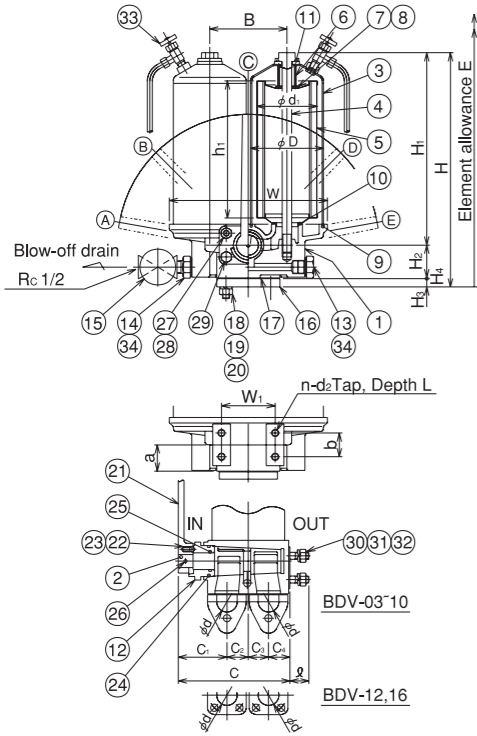
1. Maximum operating pressure: 0.6 MPa
2. Model BDV is blow-off duplex filter. Switching handle with five levels enables cleaning one of the elements or closing one side of filters during operation. Model BCV has switching function only.
3. Larger elements for BDV/BCV have longer life-span compared to elements for BOS.
4. Wire (SUS) and Paper are provided as well as Notch Wire for model BCV only.
5. Standard Model BDV/BCV: IN and OUT flow vertical. BDV/BCV-SO (with oil pan): IN and OUT flow horizontal.

### Part List

Part No.	Part Name	Material	Qty	Remarks
34	Packing	Non asbestos	2	
33	Air vent plug	C3771	2	
32	Spring washer	SWRH	4	
31	Hex nut	SS400	4	
30	Stud bolt	SS400	4	
29	Hex bolt	SS400	2	Not attached to BDV-03-06
28	Hex nut	SS400	2	
27	Stud bolt	SS400	2	
26	Spring pin	SK5	1	
25	O-ring	NBR	1	JISB 2401. 1A
24	O-ring	NBR	1	JISB 2401. 1A
23	Steel ball	SUJ	1	
22	Spring	SWPA	1	
21	Handle	FC200	1	
20	Spring washer	SWRH	4	
19	Hex nut	SS400	4	BDV-12,16: 8 pcs
18	Stud bolt	SS400	4	
17	Packing	Non asbestos	2	
16	Companion flange	SS400	2	
15	Drain plug	BC	1	BDV only
14	Nipple	SS400	1 set	
13	Plug	SS400	1	
12	Gland flange	FCD450	1	
11	O-ring	NBR	2	JISB 2401. 1A
10	Packing	NBR	2	
9	Packing	NBR	2	
8	Packing	NBR	2	
7	Washer	SECC	2	
6	Spring	SWPA	2	
5	Element		2	
4	Center rod	SS400	2	
3	Case	SS400	2	
2	Cock	FCD450	1	
1	Body	FC200	1	

### O-ring and Packing

Part No.	Model	8	9	10	11	17	24	25	34
BDV-03		12X φ20/φ9.9	14X φ80.7/φ74.3	12X φ46/φ38	P-20		P-30	P-18	12X φ22/φ13.5
BDV-04						11.5X 76/φ28.5			
BDV-06		12X φ28/φ16	13X φ101.6/φ94.3	12X φ45/φ32.5	G-25		P-35	P-21	12X φ22/φ13.5
BDV-08		12X φ38/φ16	13X φ123/φ115.5	12X φ50/φ37.5	G-30	11.5X 105/φ44	P-46	P-28	12X φ32/φ24
BDV-10									
BDV-12		12X φ42/φ19.5	13X φ162.5/φ153.5	12X φ70/φ60	G-30	11.5X □96/φ63	G-65	G-40	12X φ32/φ24
BDV-16									



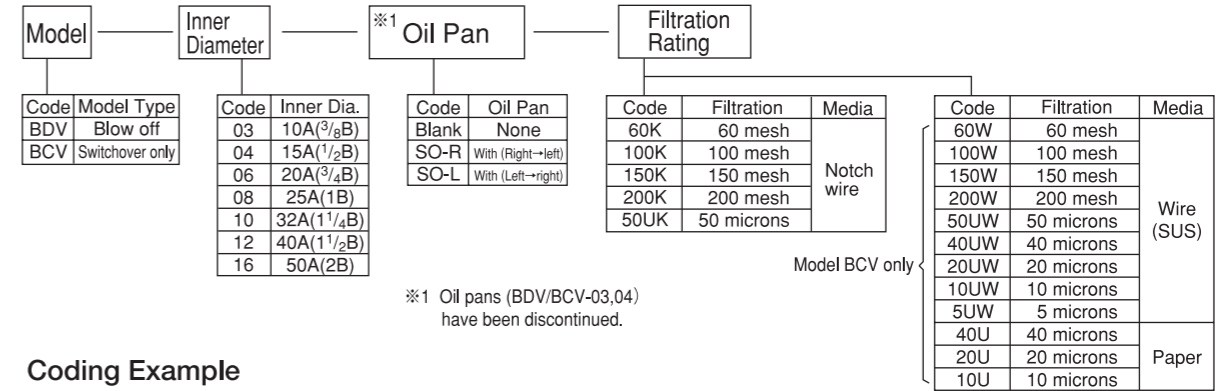
Handle Position and Switchover (A) to (E) in figure)

- (A): Left side closed, right side in use
- (B): Right side blow off, right side in use
- (C): Both sides in use
- (D): Left side in use, right side blow off
- (E): Left side in use, right side closed

### Dimensions and Standard Flow Rates

Symbol	Inner Dia.	φd	W	H	H <sub>1</sub>	H <sub>2</sub>	H <sub>3</sub>	H <sub>4</sub>	C	C <sub>1</sub>	C <sub>2</sub>	C <sub>3</sub>	C <sub>4</sub>	L	B	W <sub>1</sub>	a	b	D	E	n-d <sub>2</sub>	φ	Element h <sub>1</sub>	Mass (kg)	Standard Flow Rate (Q / min)	
BDV-03	10A	17.8	174	245.5	199	35	10	1.5	138	60	25	25	28	17	86	60	32	34	79	450	4-M10	25	135	62	8	15
BDV-04	15A	22.2																								25
BDV-06	20A	27.7	220	283.5	230	42	10	1.5	162	72	25	25	40	20	110	75	35.5	37	101.6	520	4-M12	32	158	82.2	11	45
BDV-08	25A	34.5																								70
BDV-10	32A	43.2	266	394	323.5	55	14	1.5	188	82	36	34	36	20	130	90	44	40	127	730	4-M12	32	230	102	21	120
BDV-12	40A	49.1																								160
BDV-16	50A	61.1	340	484	403.5	65	14	1.5	260	105	50	50	55	20	170	100	65	50	165.2	910	4-M12	32	300	125	40	260

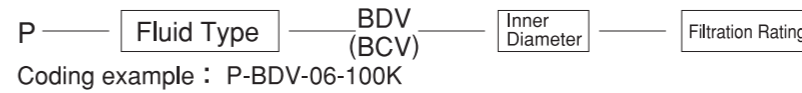
### Model Code



**Coding Example**  
BDV-06-SO-R-100K

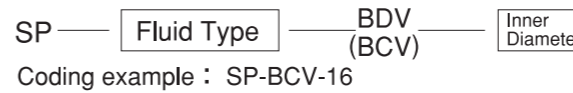
### Spares

#### Element

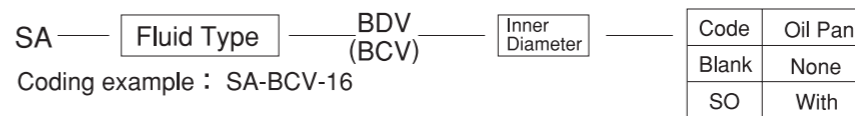


#### Sealing parts set

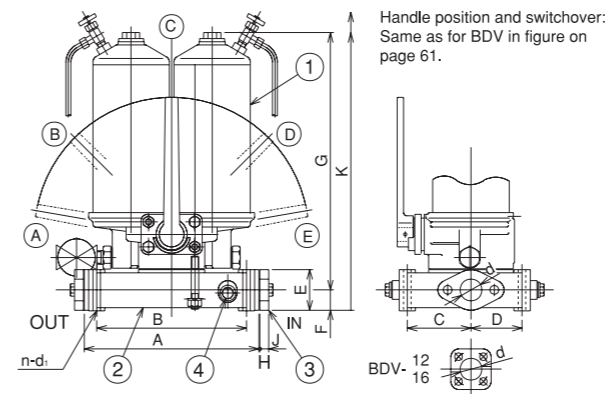
● For element replacement (Part No. with © in "O-ring and packing" .) Note: The contents of this set are for one side only.



● For overhaul



### Model BDV-SO (with oil pan)



### Part List

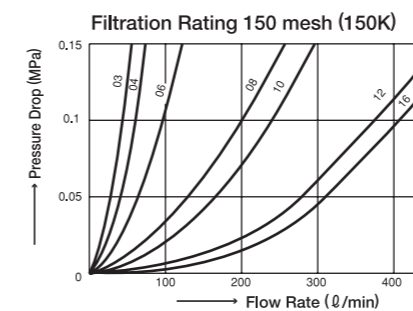
Part No.	Part Name	Material	Qty	Remarks
1	BDV filter		1	
2	Oil pan	FC	1	
3	Companion flange	SS	2	With packing and bolt
4	Drain plug	SS	1	With packing

### Dimensions

Symbol	Inner Dia.	d	A	B	C	D	E	F	G	H	J	Element Allowance K	n-d <sub>1</sub>	Mass (kg)
BDV-06	20A	27.7	240	200	80	65	50	25	297	1.5	10	570	4-φ12	16
BDV-08	25A	34.5	280	240	102	82	65	32.5	414	1.5	14	795	4-φ12	26
BDV-10	32A	43.2												
BDV-12	40A	49.1	360	320	140	120	100	60	520	1.5	14	1010	4-φ14	58
BDV-16	50A	61.1												

### Flow Rate Chart

● ISO. VG32 ● Viscosity: 32 cSt (40°C)



**Criteria of cock leakage:** Specified amount of fluid leakage from operation filter to standby filter through cock clearance.

Model	Leakage cc/min	Condition
BDV-03 04 06	MAX.30	0.6MPa Viscosity 35 cSt
BDV-08 10	MAX.50	
BDV-12 16	MAX.100	