

1. Maximum operating pressure: 25 MPa  
Impulse test: 25 MPa x 10<sup>7</sup> times
2. Spec. for option

Element Type	Element Max. Differential Pressure	Indicator Operating Pressure	Relief Valve Opening Pressure
Standard	0.7MPa	0.3MPa	0.35MPa
High differential pressure	21MPa	0.7MPa	—

3. Manifold-mount type.  
Mounting face standard ...JOHS121 (Mounting face of hydraulic 2-port control valve in Japan Oil Hydraulic Standard)
  - GF-03 : P-AG-06-2-A
  - GF-06 : P-AH-08-2-A
4. Please contact us for use of fluids other than mineral oil on O-rings and other parts.
5. Manifold surface finish should be Ra 1.6S(▽▽▽) or better.
6. For mounting, please prepare and use hexagon socket cap bolt (strength 12.9).  
Size GF-03: M10 x 70  
GF-06: M10 x 80  
GF-08: M12 x 100
7. Drain plug is not provided with filter assembly. Please provide drain plug at manifold block for installation.
8. Manganese phosphate coating on filter body.

**Caution** When releasing air, do not over-loosen No.17 Cap bolt. Avoid No.18 Steel ball pop-out which may cause injury.

**Part List**

Part No.	Part Name	Material	Qty	Remarks
18	φ 5 Steel ball	SUJ	1	
17	M8 Cap bolt	SCM435	1	Cup point
16	O-ring	NBR	1	JISB 2401. 1A
15	O-ring	NBR	1	JISB 2401. 1B
14	Indicator	SUS303	1	
13	φ 6 × 12 spring pin	SK	1	
12	O-ring	NBR	2	JISB 2401. 1A※1
11	Backup ring	PTFE	2	SUN-4B (for flange)
10	O-ring	NBR	2	JISB 2401. 1B
9	Backup ring	PTFE	2	JISB 2407. T3
8	O-ring	NBR	2	JISB 2401. 1A
7	Cap bolt	SCM435	2	Cup point
6	Relief valve		1	
5	Inlet	AC2B	1	
4	Element		1	
3	Cover	S25C	1	
2	Shell	S45C	1	GF-A-03: STPT410S
1	Body	S25C	1	

**O-ring and Backup Ring**

Part No.	8	9	10	11	12	15	16
Model							
GF-A-03-2	G-55	For G-55	P-20	For P-20	AS568-119 HS70		
GF-A-03-3							
GF-A-06-2	G-70	For G-70	G-25	For G-25	AS568-119 HS70	P-18	P-14
GF-A-06-3							
GF-A-08-2	G-80	For G-80	G-35	For G-35	※1 P-32 With backup ring		
GF-A-08-3							

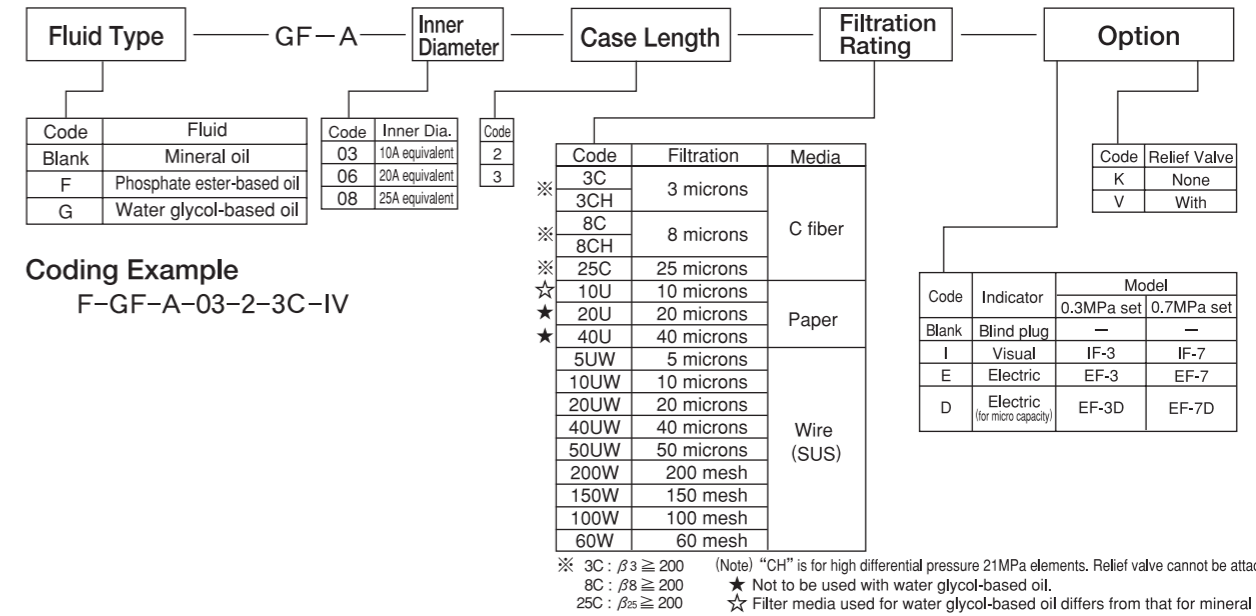
※1 Backup ring is included for use of high differential pressure element only.

**Dimensions and Standard Flow Rates**

Symbol Model	H	h	D	d <sub>1</sub>	Element		M	M <sub>1</sub>	R	N	N <sub>1</sub>	G	J	O	P	S	K	d <sub>3</sub>	T	Element Allowance E	Mass (kg)	Standard Flow Rate (ℓ/min)
					ℓ	※2 d <sub>2</sub>																
GF-A-03-2	194				118	45	78	82	42.9	88	93	66.7	28.6	16	26.5	1.8	31.8	11	With across flat 36 hex	130	4.6	25
GF-A-03-3	288	56	76	60.5	212	(45.3)														225	5.3	27
GF-A-06-2	199				118	50.2	96	102	60.3	105	111	79.4	38.1	20	32.5	2.4	44.5	11	With across flat 41 hex	130	7.1	90
GF-A-06-3	293				212	(51)														225	8.4	110
GF-A-08-2	265				160.6	62.2	118	127	84.1	118	127	96.8	50.8	30	42.5	2.4	62.7	13	With across flat 41 hex	170	12.1	200
GF-A-08-3	365	80	115	89.1	260.6	(64)														270	14.8	230

※2 High differential pressure element dimensions in ( ).

**Model Code**



**Spares**

**Element**

P — Fluid Type — GF — A — Inner Diameter — Case Length — Filtration Rating  
Coding example : P-F-GF-A-03-2-3C

**Sealing parts set**

● For element replacement (Part No. with ○ in "O-ring and Backup ring" )  
SP — Fluid Type — GF — A — Inner Diameter — (H)  
Coding example : SP-F-GF-A-03

● For overhaul  
SA — Fluid Type — GF — A — Inner Diameter — (H)  
Coding example : SA-F-GF-A-03-H

**Flow Rate Chart**

- ISO VG32
- Viscosity: 32 cSt (40°C)

