



1. Maximum operating pressure: 1 MPa
Impulse test: 1 MPa x 10⁷ times
2. TRF return filter is installed directly on top of a tank.
3. Thread type connection is provided as standard.
Companion flange for flange connection is available in additional option.
4. Structure of relief valve for TRF-16, 20 and 24 is different from the drawing shown on this page.
5. Secure the filter to the companion flange seat with bolts using φ 3 holes firmly.
6. Please contact us for use of fluid other than mineral oil on packing, O-rings and other parts.

Spec. for option

Element Max. Differential Pressure	Option	
	Indicator pressure (All red)	Relief valve opening pressure
0.7MPa	0.3MPa	0.35MPa

Part List

Part No.	Part Name	Material	Qty	Remarks
17	O-ring	NBR	1	JISB 2401. 1A
16	Bolt	SCM435	4	Option
15	Companion flange	SS400	1	
14	Packing	Non asbestos	1	
13	Indicator		1	Option
12	Bolt	SCM435	4	
11	Bolt	SCM435	4or6	10, 12, 16 only
10	O-ring	NBR	1	JISB 2401. 1A
9	O-ring	NBR	1	JISB 2401. 1A
8	O-ring	NBR	2	JISB 2401. 1A
7	Spring	SWPA	1	
6	Cap	SECC	1	16, 20, 24: AC2B
5	Relief valve		1	Option
4	Element		1	
3	Cover	ADC12	1	20, 24: AC2B
2	Case	SPCC	1	06, 08: ADC12
1	Body	ADC12	1	20, 24: AC2B

O-ring

Model	Part No.	8	9	10
TRF-06	P-36			G-90
TRF-08				
TRF-10	G-50	G-115	G-115	
TRF-12				
TRF-16	G-60	G-130	G-130	
TRF-20	G-90	AS568 259	G-160	
TRF-24				

Companion Flange (Option)

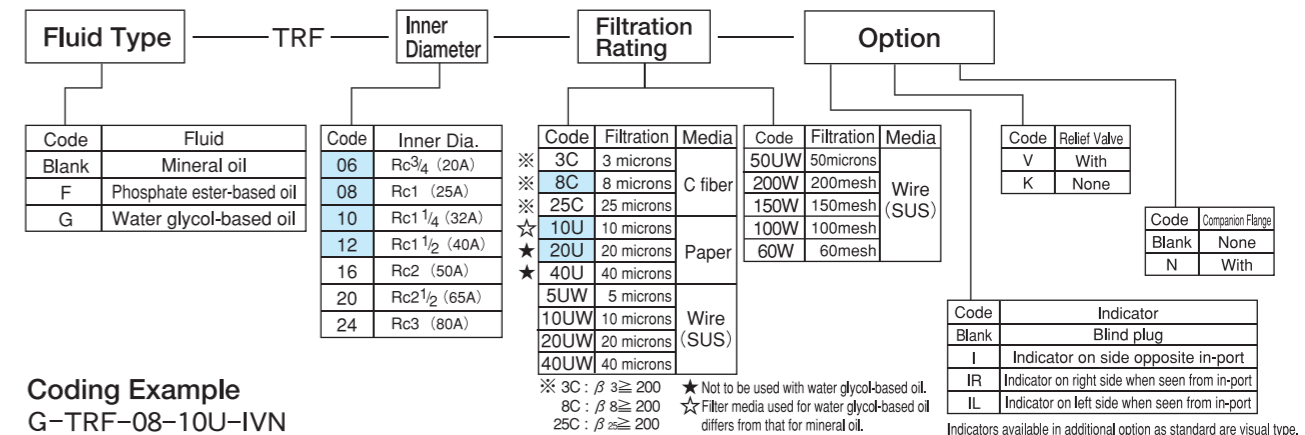
Model	Symbol	G	H	t	e	d ₄	17
TRF-06		68	62	18	9	φ 27.7	G-40
TRF-08						φ 34.5	
TRF-10		84	76	21	10	φ 43.2	G-55
TRF-12						φ 49.1	
TRF-16		100	94	24	11	φ 61.1	G-70
TRF-20		134	126	31	15	φ 77.1	G-100
TRF-24						φ 90	

Note: Companion flange for Model TRF-16 and TRF-24 has O-ring groove.

Dimensions

Model	Symbol	d	d ₀	H	H ₁	H ₂	H ₃	H ₄	A	D	B	C	d ₂ ×L	Mount				T	Element Allowance E	Element			Mass (kg)
														D ₁	D ₂	D ₃	d ₃			h	d ₁	d _i	
TRF-06	Rc ³ / ₄		Rc1	234	147	87	40	47	70	102	50	36	M8×19	135	125	105	9.6	10	255	145	76	3	
TRF-08	Rc1																						
TRF-10	Rc1 ¹ / ₄		Rc1 ¹ / ₂	318	210	108	50	58	85	110	64	46	M10×21	156	150	120	12	13	330	209	92	6	
TRF-12	Rc1 ¹ / ₂																						
TRF-16	Rc2		Rc2	388	260	128	60	68	95	124.6	76	52	M12×23	190	170	134	15	17	440	259	105	8	
TRF-20	Rc2 ¹ / ₂		Rc3	495	320	175	85	90	110	165.2	102	80	M16×30	240	205	176	18	15	540	309	133	20	
TRF-24	Rc3																						

Model Code



Coding Example
G-TRF-08-10U-IVN

Spares

Element



Coding example : P-G-TRF-08-10U

Sealing parts set

● For element replacement (Part No. with © in “O-ring and packing”.)



Coding example : SP-G-TRF-08

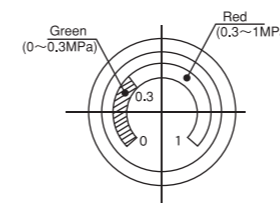
● For overhaul



Coding example : SA-G-TRF-08

Code	Companion Flange
Blank	None
N	With

Indicator



Green (0~0.3 MPa): Element is clean.
Red (over 0.3 MPa): Replace element.

Replace element when indicator shows “red” zone due to clogging.
Note: Indicators might show “red” zone caused by rising pressure during operation with high viscosity fluid.

Flow Rate Chart

- ISO VG32
- Viscosity: 32 cSt (40°C)

